

IXEHL-35

Intel® Elkhart Lake based Embedded Fanless Industrial PC



Features

- CPU: Intel® Celeron® Processor J6412
- Memory: Single Channel SO-DIMM DDR4 up to 32 GB
- Display: Intel UHD Graphics, display via HDMI+DP
- Ethernet: 10/100/1000Mbps
- Storage: SATA3.0, mSATA
- Expansion: M.2 for WiFi
- Power: 12V DC input, Phoenix input optional



IoT Solutions
Alliance

Industrial Solution
Builders Specialist

Introduction

The Maxtang IXEHL-35 is a compact, embedded industrial PC powered by the Intel® Elkhart Lake processor Celeron® J6412. It has 4Cores 4Threads, 1.5M Cache, up to 2.60GHz for burst frequency; supports 1xSO-DIMM DDR4 max to 32GB memory and a TDP rate of 10W for energy saving. A rich I/O interface includes HDMI, DP, two RJ45 gigabit network controllers, six serial ports (default RS232, COM5_6 optional RS485), and eight USB ports that suit most market requirements.

The IXEHL-35 includes a comprehensive I/O interface for easy integration and a ruggedized design for harsh environments. It has a long-lasting life cycle based on its stability and reliability. An aluminum enclosure made, which contains a fanless structure intended to protect internal components from dust and debris in a harsh industrial environment.



H/W Monitor



Watchdog

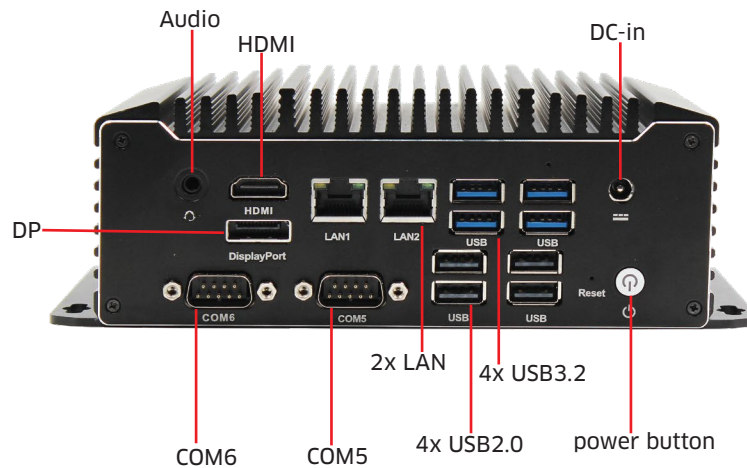


GPIO



Brightness

I/O Interfaces



COM1-4



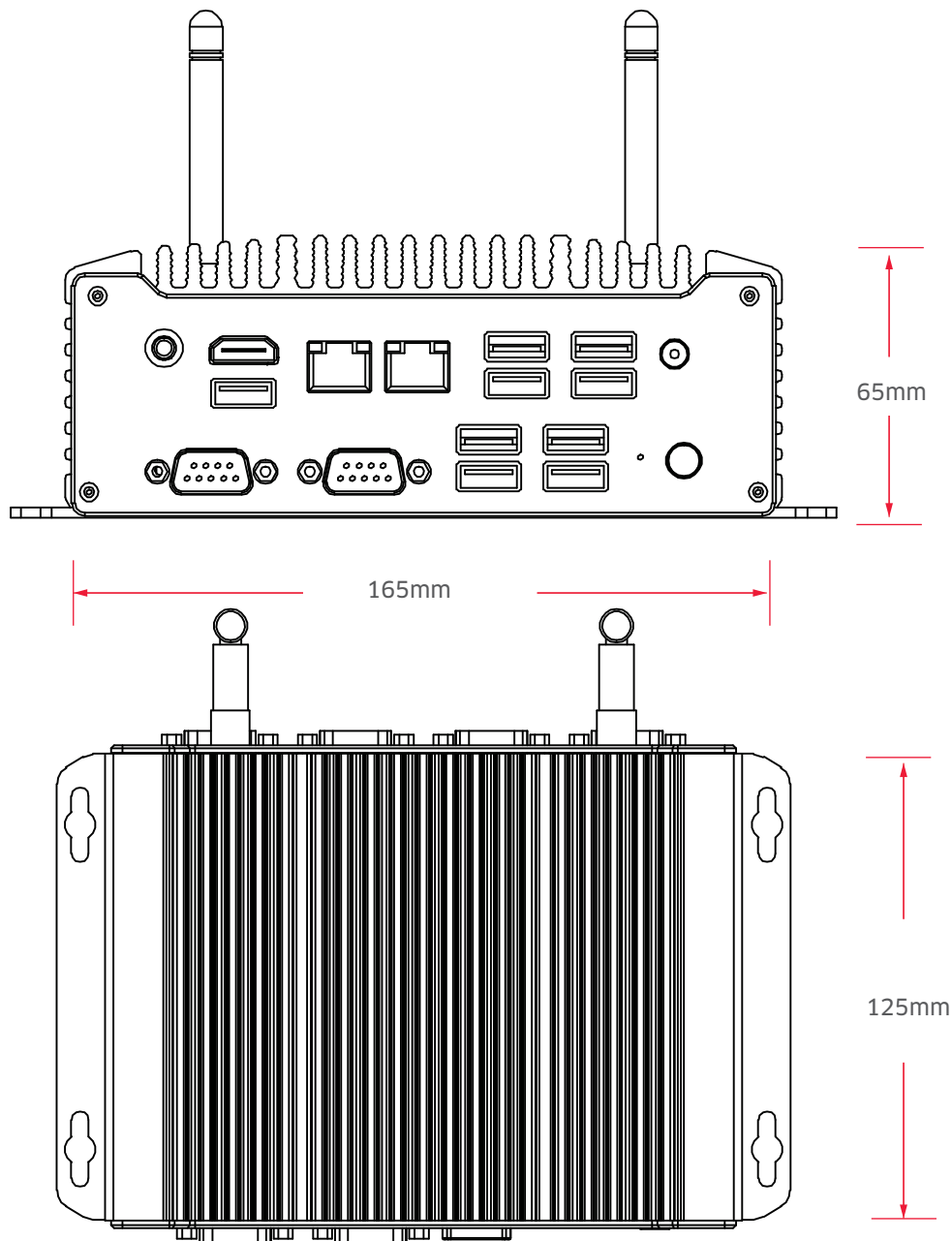
Phoenix (Optional)

Technical Specifications

Processor	CPU	Celeron® J6412	
	Base Frequency	2.0 GHz	
	Max Turbo Frequency	2.6 GHz	
	Cache	1.5MB L2	
	TDP	10W	
	BIOS	AMI UEFI BIOS	
Memory	Type	Single Channel SO-DIMM DDR4	
	Max Capacity	32GB	
Display	GPU	Intel® UHD Graphics based on CPU	
	Display via	HDMI+DP	
Ethernet	Speed	10/100/1000Mbps	
	Controller	RTL8111H	
	Interface	2x RJ45	
Audio	Wake on LAN	Yes	
	Audio Codec	Realtek HD	
Hardware	Interface	1xCTIA 2-in-1 Audio Jack	
		System temperature, Onboard voltage, Watchdog, Auto power on	
Storage	mSATA	1x mSATA for SSD/4G Module	
	SATA	1x SATA 2.5-inch HDD	
Expansion	M.2	1x M.2 KEY_E for Wi-Fi	
I/O Interface	COM	6x RS232 Defalut (COM5_6 RS485 optional)	
	HDMI	1	
	DP	1	
	USB	4x USB2.0 + 4x USB3.2	
	LAN	2	
	Audio	1xCTIA (Line-out+Mic-in)	
	GPIO	8-bit	
	Wired Control	1	
	Dimension	Size	165mm x 125mm x 65mm
	Power	Standard Input	12V DC IN
Phoenix Input		16-30V Phoenix input optional	
Peripheral Input		For Fan and SATA	
LED Indicator		Power indicator	
Temperature	Operating Temp.	-20°C to 60°C	
	Storage Temp.	-40°C to 80°C	
Cooling		Passive	
Operating System		Win10/11 64bit, Linux 64 bit	

*All specifications and photos are subject to change without notice.

Dimensions



Copyright © 2022 Maxtang Technology Co., Ltd. All rights reserved. All data is for information purposes only and not guaranteed for legal purposes. Information has been carefully checked and is believed to be accurate however, no responsibility is assumed for inaccuracies. Maxtang and the Maxtang logo and all other trademarks or registered trademarks are the property of their respective owners and are recognized.